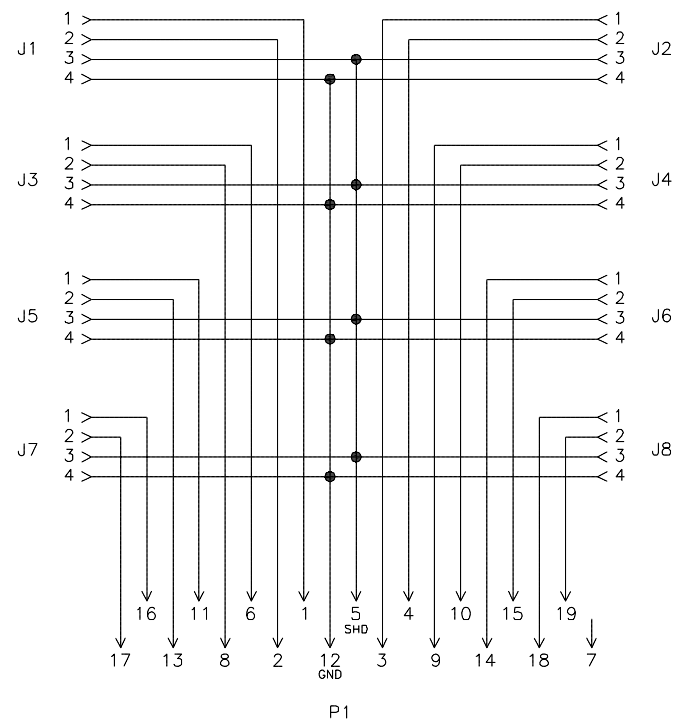
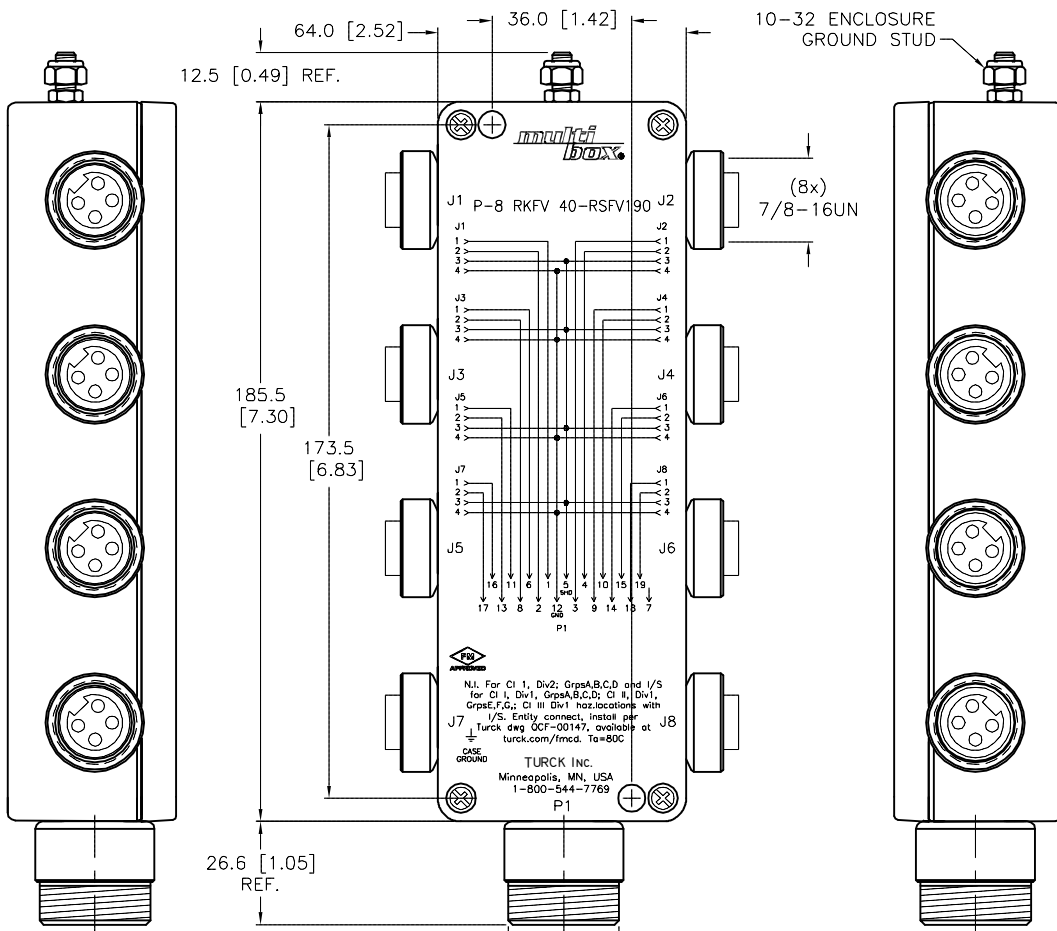
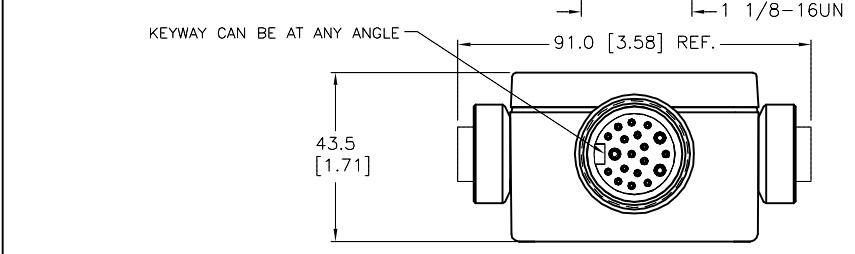


SPECIFICATIONS	
HOUSING MATERIAL	DIE-CAST ALUMINUM ALLOY
HOUSING FINISH/COLOR	POWDER COAT/BLACK
RECEPT. HOUSING MATERIAL/FINISH	STAINLESS STEEL/PASSIVATED
CONTACT CARRIERS/COLOR	TPU/BLACK (J1-J8), YELLOW (P1)
CONTACT MATERIAL/PLATING	BRASS/GOLD
OPERATING VOLTAGE	250 VAC/300 VDC
OPERATING CURRENT	2.0 AMPS PER PORT, 8.0 AMPS TOTAL
PROTECTION CLASS to DIN 40050	IP 67 - ONLY WHEN ALL RECEPTACLES ARE COVERED WITH PLUGS OR CONNECTED
OPERATING TEMPERATURE	-40°C TO +80°C (-40°F TO +176°F)



WIRING DIAGRAM
SOURCE DRAWING - FOR REFERENCE ONLY



RELATED DOCUMENTS 1. 2. 3. 4.	3RD ANGLE PROJECTION 	THIS DRAWING IS CONFIDENTIAL AND THE PROPERTY OF TURCK INC. USE OF THIS DOCUMENT WITHOUT WRITTEN PERMISSION IS PROHIBITED.		3000 CAMPUS DRIVE MINNEAPOLIS, MN 55441 1-800-544-7769 (763) 553-7300 (763) 553-0708 fax www.turck.us	
		MATERIAL SEE SPECIFICATIONS	DRFT RDS APVD	DATE 03/06/09 SCALE 1=2.0	DESCRIPTION P-8 RKFV 40-RSFV190
FINISH SEE SPECIFICATIONS	ALL DIMENSIONS DISPLAYED ON THIS DRAWING ARE FOR REFERENCE ONLY CONTACT TURCK FOR MORE INFORMATION	UNIT OF MEASUREMENT MILLIMETER [INCH]		IDENTIFICATION NO. U3-10842	REV E
DO NOT SCALE THIS DRAWING		FILE: U3-10842		SHEET 1 OF 1	

E	UPDATE TEMP SPEC	RDS	03/26/19	68987
REV	DESCRIPTION	BY	DATE	ECO NO.